

- High flow rate**
- Small volumetric size**
- Proven sealing system**
- Manual override option**
- Maintenance-free**
- Low power consumption**
- Application oriented pilot controls**
- Manifold system for easy assembly**
- Multiple pressure options**


Technical data

Medium:
Compressed air, filtered to 50 µm, lubricated* or non lubricated.

Operation:
Electromagnetically or pneumatically controlled

Mounting position:
Optional

Connection:
G 1/8 up to G 1/2

Operating pressure:
1,5/2 up to 8/10 bar

Flow direction:
Internal pilot supply: fixed
External pilot supply: optional

Flow:

Size	3/2, 5/2	2 x 3/2, 5/3
G1/8	750	500
G1/4	1300	950
G3/8	2600	1900
G1/2	4200	

Ambient temperature:
-10°C to +50°C

Fluid temperature:
-10°C to +50°C

Consult our Technical Service for use below +2°C.

Materials

Housing and base plate: aluminium
Spindle: stainless steel,
Piston, spacers and cover: synthetic material
Static and dynamic seals: NBR,
Screws: zinc plated
Springs: stainless steel.

* Oil recommendation: Shell Hydrol DO 32, ESSO Febis K 32 (as of 07/92) or comparable oils with DVI values < 8 (DIN 53521) and ISO viscosity class 32 to 46 (DIN 51519)

Ordering information

To place an order, choose the valve design and add coil and voltage codes from solenoid variant tables, e.g. **V61B513A-A213L** for a 5/2 valve, solenoid actuated, air spring return, manual override push & lock, 24 V d.c. solenoid according to DIN EN 175 301-803 (DIN 43650 B).

Connector types

Standard see data sheet	7.7.002
AS-i see data sheet	7.7.003

Alternative models

NPT ports.



5/2 directional control valves, pilot actuated

Symbol	Model	Port size	Operator 12	Operator 10	Flow (l/min)	Operating pressure (bar)	Pilot pressure (bar)	kg	Dimensional drawing no.
	V60A5D7A-X5090	G1/8	Air	Spring	750	-0,9 ... 10	2,5 ... 10	0,16	22
	V61B5D7A-X5090	G1/4	Air	Spring	1300	-0,9 ... 10	2,5 ... 10	0,26	22
	V62C5D7A-X5090	G3/8	Air	Spring	2600	-0,9 ... 10	2,5 ... 10	0,56	22
	V63D5D7A-XA090	G1/2	Air	Spring	4200	-0,9 ... 10	2,5 ... 10	0,92	25
	V60A5DDA-X5020	G1/8	Air	Air	750	-0,9 ... 10	1,5 ... 10	0,17	23
	V61B5DDA-X5020	G1/4	Air	Air	1300	-0,9 ... 10	1,5 ... 10	0,27	23
	V62C5DDA-X5020	G3/8	Air	Air	2600	-0,9 ... 10	1,5 ... 10	0,58	23
	V63D5DDA-XA020	G1/2	Air	Air	4200	-0,9 ... 10	1,5 ... 10	0,87	26

5/3 directional control valves, pilot actuated

Symbol	Model	Port size	Operator 14	Operator 12	Flow (l/min)	Operating pressure (bar)	Pilot pressure (bar)	kg	Dimensional drawing no.
	V60A6DDA-X5020	G1/8	Air	Air	500	-0,9 ... 10	3 ... 10	0,2	24
	V61B6DDA-X5020	G1/4	Air	Air	950	-0,9 ... 10	3 ... 10	0,32	24
	V62C6DDA-X5020	G3/8	Air	Air	1900	-0,9 ... 10	3 ... 10	0,67	24
	V60A7DDA-X5020	G1/8	Air	Air	500	-0,9 ... 10	3 ... 10	0,2	24
	V61B7DDA-X5020	G1/4	Air	Air	950	-0,9 ... 10	3 ... 10	0,32	24
	V62C7DDA-X5020	G3/8	Air	Air	1900	-0,9 ... 10	3 ... 10	0,67	24
	V60A8DDA-X5020	G1/8	Air	Air	500	-0,9 ... 10	3 ... 10	0,2	24
	V61B8DDA-X5020	G1/4	Air	Air	9500	-0,9 ... 10	3 ... 10	0,32	24
	V62C8DDA-X5020	G3/8	Air	Air	1900	-0,9 ... 10	3 ... 10	0,67	24

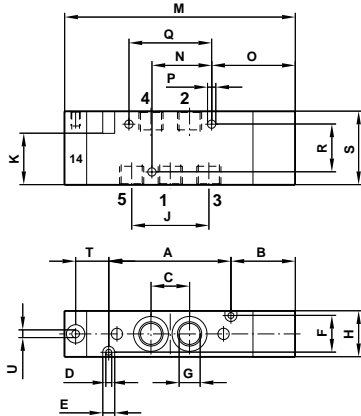
Note: Internal switching in middle position via spring.

APB = All Ports Blocked, COE = Centre Open Exhaust, COP = Centre Open Pressure.

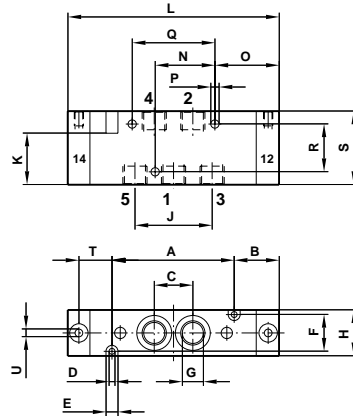


Drawing dimensions

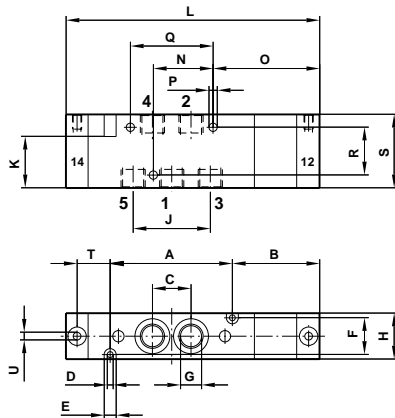
22



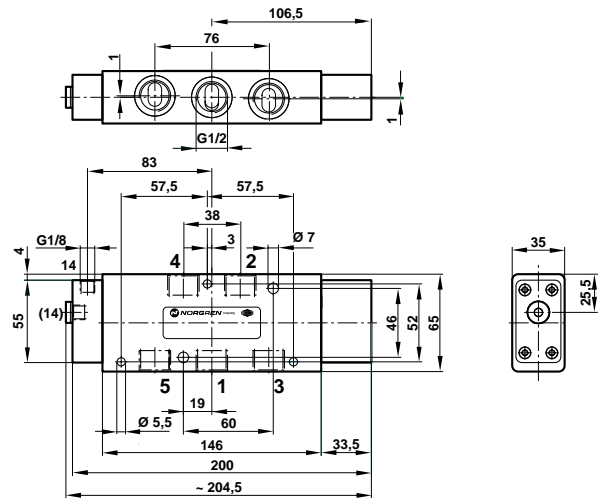
23



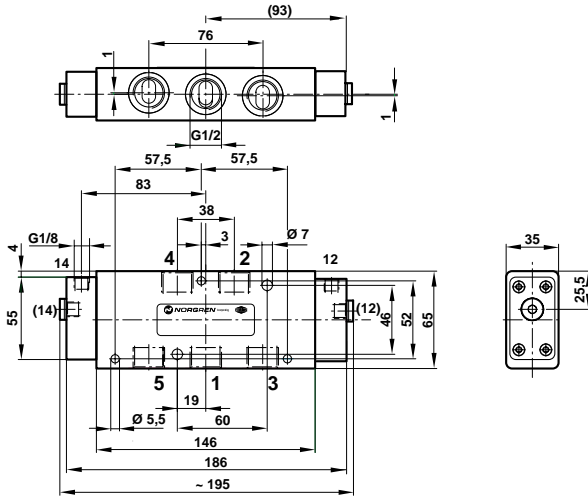
24



25



26



Dimensional drawing no.	Type	A	B	C	D	E	F	G	H	J	K	L	M	N	O	P	Q	R	S	T	U
22	V60	50	29	16,2	3,2	6,5	17	G1/8; 8 deep	22	32,4	28	-	101	25	37	4,5	44	26	35	17	M 5
22	V61	66	35	21	3,2	6,5	20	G1/4; 10 deep	25	42	28	-	125	32	35	4,5	26	26	40	18	M 5
22	V62	78	43	24,4	4,5	8	28	G3/8; 11,5 deep	34	48,8	44	-	148	12	82	4,5	33,6	36	55	21	M 5
23	V60	50	23	16,2	3,2	6,5	17	G1/8; 8 deep	22	32,4	28	95	-	25	31	4,5	44	26	35	17	M 5
23	V61	66	24	21	3,2	6,5	20	G1/4; 10 deep	25	42	28	114	-	32	35	4,5	26	26	40	18	M 5
23	V62	78	27	24,4	4,5	8	28	G3/8; 11,5 deep	34	48,8	44	132	-	12	66	4,5	33,6	36	55	21	M 5
24	V60	50	37	16,2	3,2	6,5	17	G1/8; 8 deep	22	32,4	28	109	-	25	45	4,5	44	26	35	17	M 5
24	V61	66	47	21	3,2	6,5	20	G1/4; 10 deep	25	42	28	137	-	32	58	4,5	26	26	40	18	M 5
24	V62	78	49,5	24,4	4,5	8	28	G3/8; 11,5 deep	34	48,8	44	154,5	-	12	88,5	4,5	33,6	36	55	21	M 5