

**Quick exhaust valve
G1/8 to G1/2**

Enables air to be exhausted quickly from air cylinders

Allows higher cylinder speeds to be achieved

Simple, compact design and construction

Very reliable in operation

**Technical data**

Medium:

Compressed air, filtered, lubricated
or non-lubricated

Operation:

Poppet valve

Mounting:

Line mounted

Port size (inlet, outlet and exhaust ports):

G1/8 T70C1800

G1/4 T70C2800

G3/8 T70C3800

G1/2 T70C4800

Operating pressure:

0,5 to 10 bar

Operating temperature:

-5°C to +80°C max. (Consult our Technical Service for
use below +2°C)

Materials:

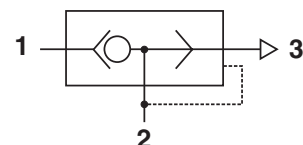
Body and Cover: Aluminium or zinc alloy

Seals: Nitrile rubber

Ordering information

Quick exhaust valve G 3/8 port

Type: T70C3800

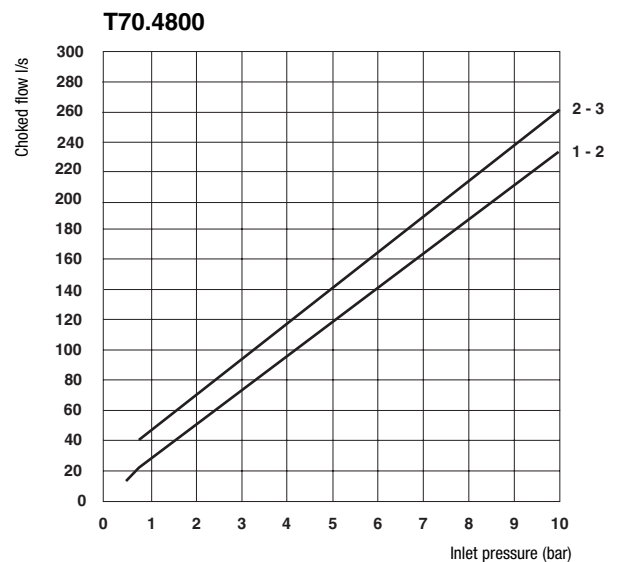
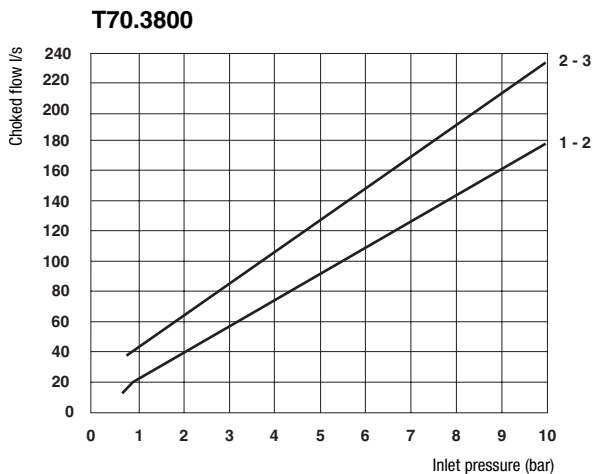
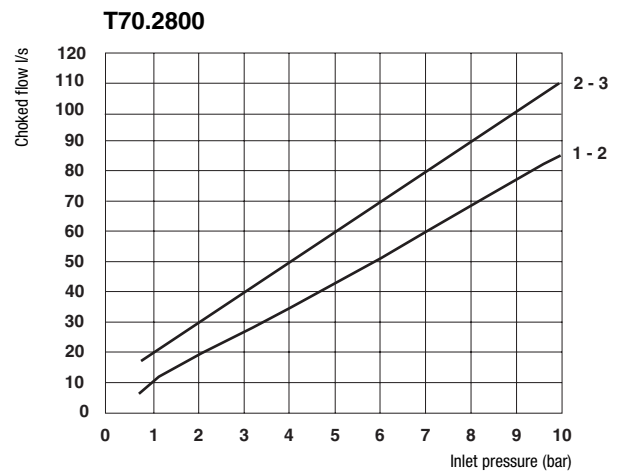
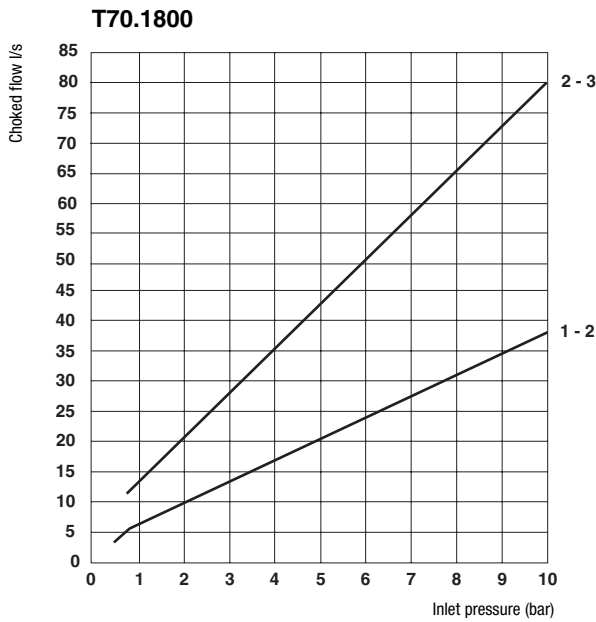


General information

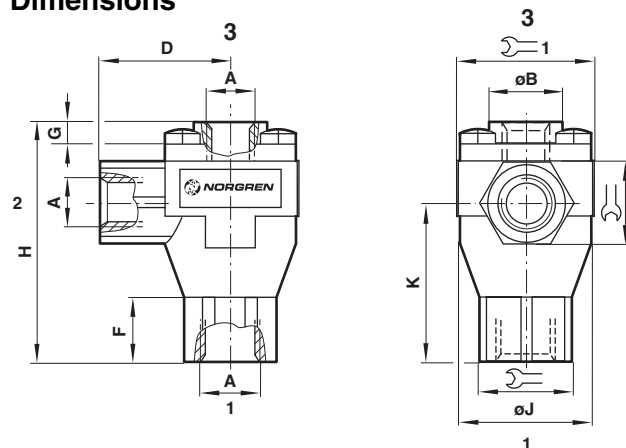
Type	Port size		Exhaust port	Flow factor (Kv)		Flow at 6 bar operating pressure (m ³ /h)		Wight (kg)	Spare kits
	Inlet	Outlet		1 - 2	2 - 3	1 - 2	2 - 3		
T70C1800	G1/8	G1/8	G1/8	1,06	1,23	95,80	110,9	0,15	T70C1800KO
T70C2800	G1/4	G1/4	G1/4	2,23	2,46	201,6	221,8	0,13	T70C2800KO
T70C3800	G3/8	G3/8	G3/8	4,47	5,02	403,2	453,6	0,21	T70C3800KO
T70C4800	G1/2	G1/2	G1/2	6,14	6,84	554,4	617,4	0,19	T70C4800KO

Characteristic curves

Choked flow versus inlet pressure
Way (1 - 2) + (2 - 3)



Dimensions



Type	T70C1800	T70C2800	T70C3800	T70C4800
A	G 1/8	G 1/4	G 3/8	G 1/2
ØB	19	19	30	30
D	28	28	40	40
F	15,5	15,5	15,5	15,5
G	3,5	3,5	4	4
H	53	53	73,5	73,5
ØJ	29	29	46	46
K	35,5	35,5	48	48
1	19	19	30	30
1	30	30	46	46

Warning

These products are intended for use in industrial compressed air systems only. Do not use these products where pressures and temperatures can exceed those listed under 'Technical Data'.

Before using these products with fluids other than those specified, for non-industrial applications, life-support systems, or other applications not within published specifications, consult NORGREN. Through misuse, age, or malfunction, components used in fluid power systems can fail in various modes.

The system designer is warned to consider the failure modes of all component parts used in fluid power systems and to provide adequate safeguards to prevent personal injury or damage to equipment in the event of such failure.

System designers must provide a warning to end users in the system instructional manual if protection against a failure mode cannot be adequately provided.

System designers and end users are cautioned to review specific warnings found in instruction sheets packed and shipped with these products.