

Instruction Manual

This installation refers to the drawing S-40888-0.



3.30.14 e

Overflow Weir WEY[®] type 6.5

SISTAG Absperrtechnik
CH-6274 Eschenbach
Switzerland
Phone ++ 41 41 449 99 44
Fax ++ 41 41 448 34 31
www.sistag.ch

Installation manual for WEY[®] Overflow Weir Type 6.5


This installation refers to the drawing S-40888-0.

1. Inspection of construction

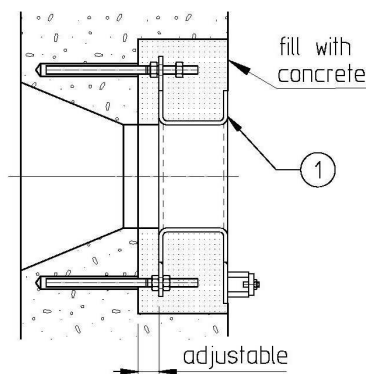
- Concrete wall and recess have to be inspected prior to installation regarding condition, surface, mismatch, flatness, etc.
- Dimensions of the construction must be check if they correspond with the constructor drawings.

2. Installation of the overflow weir frame:

- Frame (1) to be preposition in recess and align with lead and water level. Inspect closely the horizontal and vertical position. Drill four holes for the anchor bolts using the frame shackles for positioning. Use first the four installation brackets in the centre of both frame holes. Set anchor bolts and place frame (1) in correct position and screw down. If required, realign the frame (1). Set remaining anchors and proceed with the final frame (1) installation. The full length of the seal surface must be even and free of warping. The pre-installed frame is ready to be grouted-in with concrete.

 When the recess is filled with concrete, **do not vibrate concrete**.
Make sure that the seal surface is free of concrete and other debris.

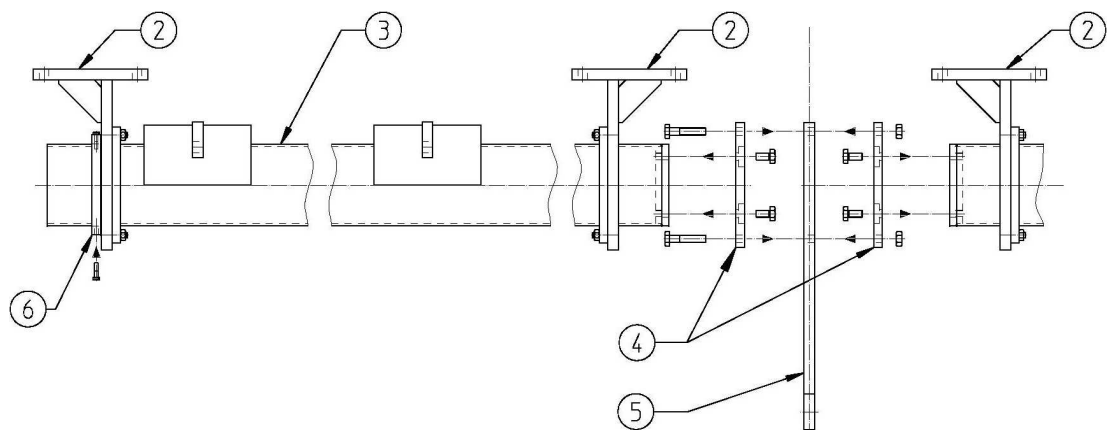
Picture 1



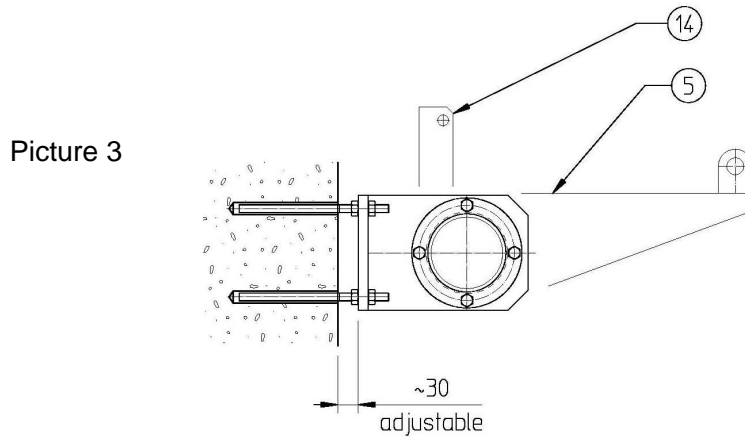
3. Installation of deflection pipe

- First insert all bearings (2) and position on the deflecting pipe (3) as shown. Position stoppers (6) also on the deflecting pipe and tighten with screws. Screw on the flange (4) to the deflection pipe (3). Bolt together the tow-piece deflection pipe and the swivel arm (5). For the position of the swivel arm (5) and shackles (14) refer to *picture 2/3*

Picture 2

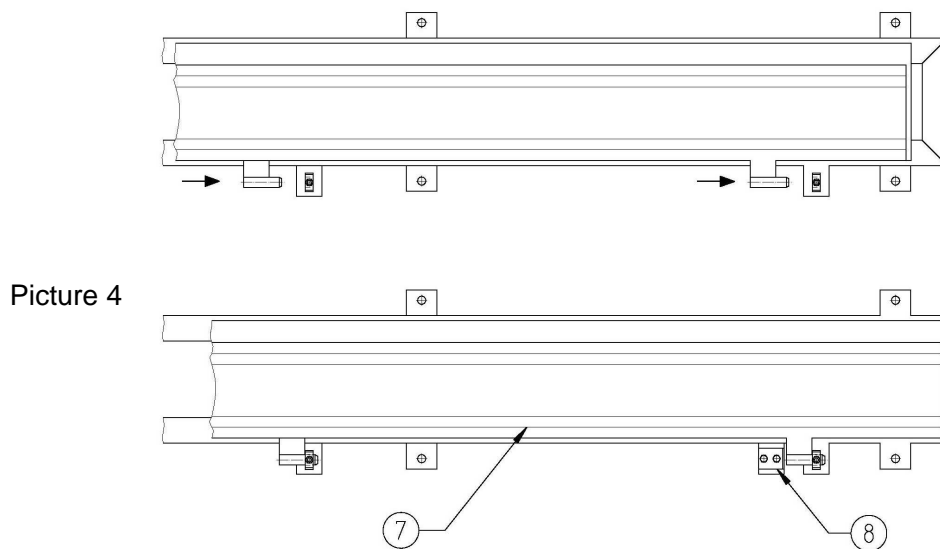


- The bearing (2) together with the deflection pipe (3) to be pre-positioned on the concrete wall. Pay attention, that the swivel arm (5) is positioned exactly in the centre of the frame (1). Check horizontal position. Fix the reflection pipe (3) in this position and drill internal bearings (2) and dowel pin holes as matching pairs. Set anchor bolts and screw together bearings and concrete wall with adequate space. Check again the horizontal level and adjust if necessary. Position external bearings (2) close to stoppers (6). Stoppers (6) prevent the deflection pipe of axial displacement of in bearings (2). Set anchors for the external bearings (2) and match-screw bearing (2) together with set anchors. Distance between bearings (2) and concrete wall must be set in such a manner that the deflection pipe (3) is not distortion in its axis. The deflection pipe (3) must rotate without great resistance picture 2/3



4. Flap installation

- Position the flap (7) and insert in provided frame (1) bearings. Screw on locking-bracket (8). Picture 4




5. Installation of floor stand

- At first, position the floor stand (9) with the actuator (15) on the construction. Insert the stem (10) form the bottom in to the actuator and turn the stem until the trapezoid thread has a firm grip in the threaded bush of the actuator. Connect the stem (10) with the extension spindle (11). Fixation with the spiral pin.

- Connect frame shackles of the extension spindle (11) with the swivel arm. This way it is easier to position and align the two centre line of the floor stand and the vertical position of the stem. Check with both the lead and water level. Set anchor bolts and tighten. Picture 5.

6. Installation of link shaft

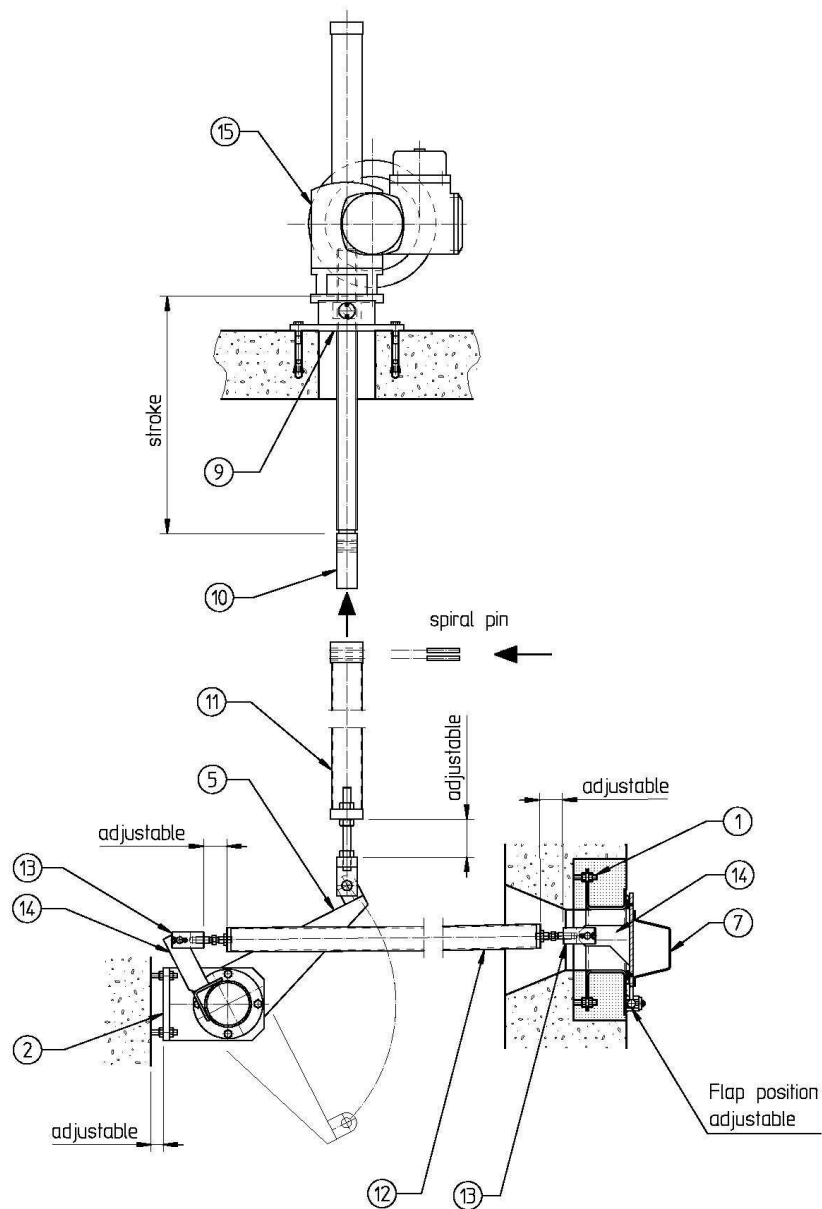
- The link shaft (12) with fork heads (13) to be connected with the shackle (14) using spiral pins. Picture 5

 The frame (1) must be grouted in, before the overflow weir can be actuated.

7. Setting of flap

- The exact flap position in open or close condition (seat pressure) must be adjusted using the electric actuator way-limit switch (refer to para. 8). Furthermore a fine adjustment can be made on the threaded positions marked „adjustable“ in picture 5.

Picture 5



8. Setting of stroke

- For automatic actuated valves the end positions are to be adjusted.
For the end position the adjustment must ensure an equal soft pressure on to the seal area.

Electric actuator:

The way-limit switch has to be set according to the manufacture installation instruction.
First the valve must be actuated with the manual emergency hand wheel in to the close position until the seal is pre-stressed. Now the way-limit switch "**close**" must to be set.

After, the valve must be actuated in open position (final stage again by emergency hand wheel) and way-limit switch "**open**" to be set.